




» playground equipment » swings » Options 6mm Plast. Coated Chain Blue



Swing Seat Mirage

8049731



 Options 6mm Plast. Coated Chain
Blue – Options



The HAGS Mirage, an ergonomic swing seat specifically designed to cater to children with disabilities. With its focus on safety, ease of use, and comfort, the Mirage swing seat provides an inclusive swinging experience for children of varying abilities. This lightweight and accessible seat offers a supportive design that is easy to get in and out of, promoting independent play. Fully adjustable seat harness sold separately.

About HAGS

At HAGS, innovation centers on human-centric design. We prioritize understanding and addressing user needs through techniques like user research, personas, and testing, ensuring products align with user preferences. This approach enhances product success in the market.

Icon Guide



Age Range



No. of Users



Assembly time



Free height of fall EN1176



Impact area EN1176



Accessible

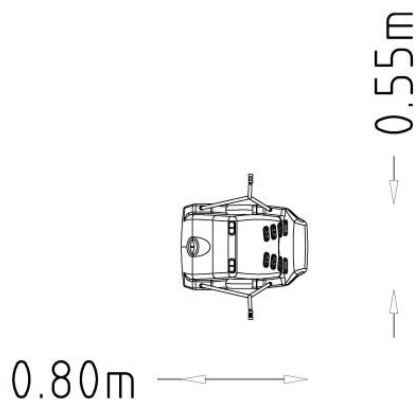
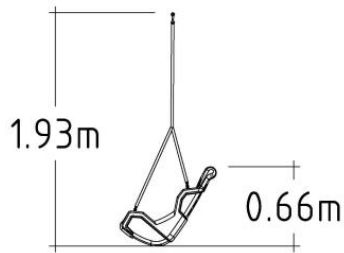


Space needed



HAGS®

Technical Information



Product Specifications

Age Range:	5-12
Length (mm):	800 mm
Width (mm):	550 mm
Height (mm):	660 mm
Net Weight:	12 kg
Assembly Time:	0,75 hours

Product Materials

Material	kg	%
Polyamide (PA)	0	0,3
Polyethylene (PE)	6,7	87,9
Stainless steel	0,5	6,6
Untreated Steel	0,4	5,2
Zink (electro-galvanised)	0	0
Zink (hot-galvanised)	0	0
	8 kg	100%

Anchoring

Options

Options

Technical Information

Download product installation guide

Download inspection and maintenance guide